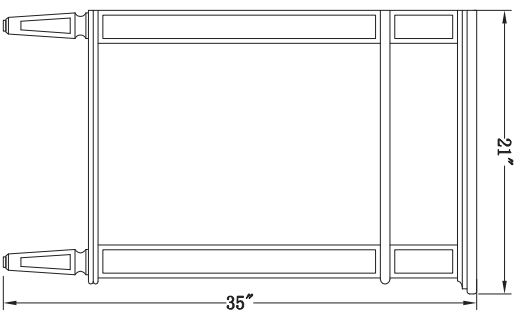
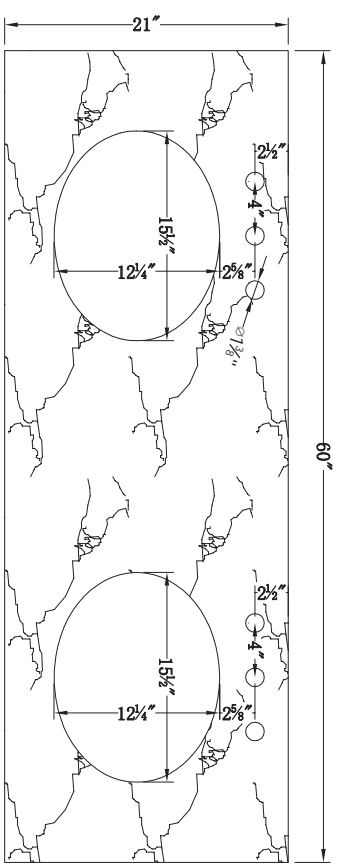


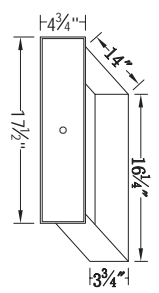
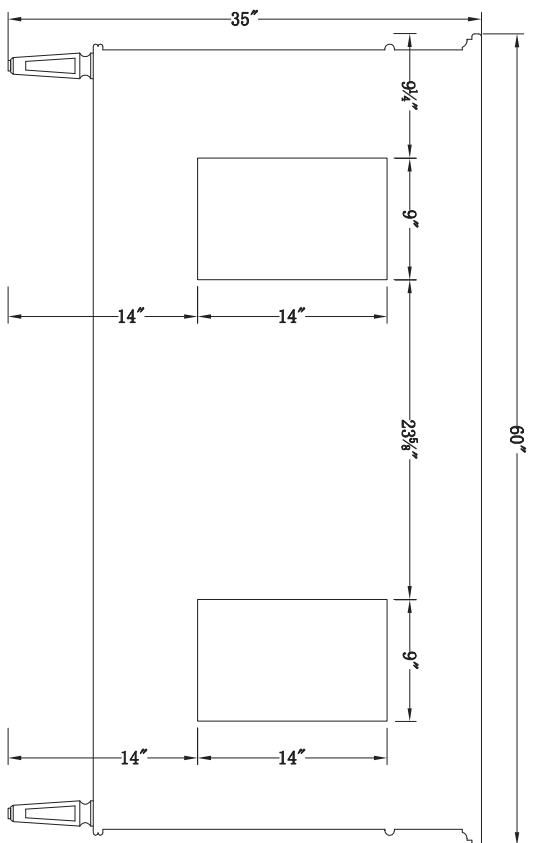
Front view



Side view



Top view



- Clear mirror
- Drawer installed with full extension slides
- Carrera white marble top
- KD leg

DWG. NO.:

MODEL NO.:

VF-1102

ALTERATIONS

1	
2	
3	
4	

FOR PROPOSAL ONLY ALL DIMENSIONS TO BE VERIFIED

SCALE:

DWG. BY:

CHECKED BY:

DATE: 10/04/2016

PROJECT:

Qty:

Color:

DRAWING TITLE:

FINISH:

Elegant

Decor

ELEGANT LIGHTING

